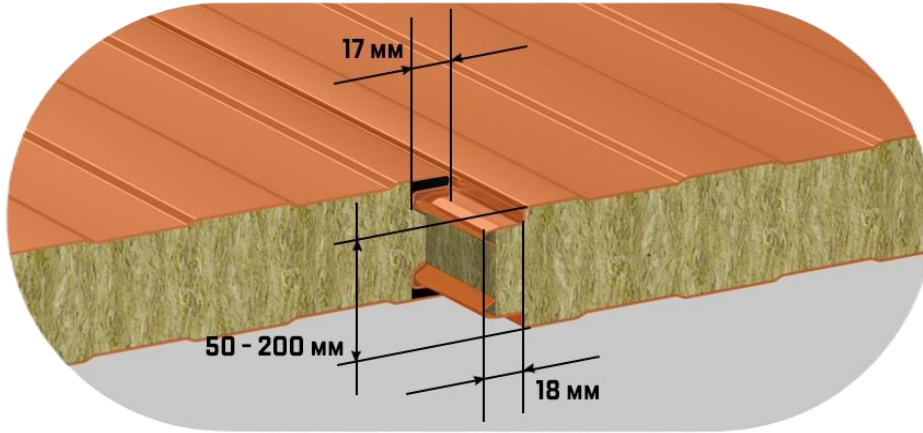


WALL AND ROOF MINERAL WOOL SANDWICH PANELS. CLASS 1
 WITH Z-LOCK AND SECRET FIX LOCK

ALL PRICES IN US DOLLARS, VAT NOT INCLUDED

09.09.2024

WALL PANELS



WITH Z-LOCK

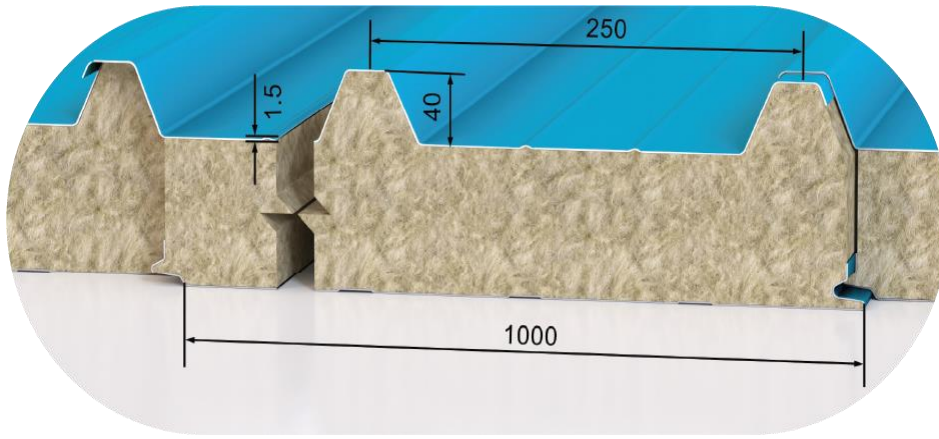
EXTERIOR COATING		PANEL'S THICKNESS, MM / Z-LOCK							
SIDE A	SIDE B	50	60	80	100	120	150	170	200
FIRE RESISTANCE CLASS		EI 30	EI 60	EI 90	EI 150	EI 180			
RAL	RAL	29,93	31,79	35,61	39,20	42,87	48,47	52,04	57,82
	ZN	28,96	30,82	34,64	38,24	41,90	47,51	51,08	56,85
	AISI 304	45,44	47,30	51,11	54,71	58,38	63,98	67,55	73,32
	AISI 430	39,77	41,63	45,45	49,04	52,71	58,32	61,89	67,66
	PVDF	41,25	43,11	46,92	50,52	54,18	59,79	63,36	69,13
	PU	37,25	39,11	42,93	46,53	50,19	55,80	59,37	65,14
	FOOD SAFE	44,60	46,46	50,27	53,87	57,54	63,14	66,71	72,48
ZN	RAL	28,96	30,82	34,64	38,24	41,90	47,51	51,08	56,85
	ZN	28,00	29,86	33,68	37,27	40,94	46,54	50,11	55,89
	AISI 304	44,47	46,33	50,15	53,75	57,41	63,02	66,59	72,36
	AISI 430	38,81	40,67	44,48	48,08	51,75	57,35	60,92	66,69
	PVDF	40,28	42,14	45,96	49,55	53,22	58,82	62,39	68,17
	PU	36,29	38,15	41,96	45,56	49,23	54,83	58,40	64,18
	FOOD SAFE	43,63	45,49	49,31	52,90	56,57	62,18	65,75	71,52
AISI 304	RAL	45,44	47,30	51,11	54,71	58,38	63,98	67,55	73,32
	ZN	44,47	46,33	50,15	53,75	57,41	63,02	66,59	72,36
	AISI 304	60,95	62,81	66,62	70,22	73,89	79,49	83,06	88,83
	AISI 430	55,28	57,14	60,96	64,55	68,22	73,82	77,39	83,17
	PVDF	56,75	58,61	62,43	66,03	69,69	75,30	78,87	84,64
	PU	52,76	54,62	58,44	62,04	65,70	71,31	74,88	80,65
	FOOD SAFE	60,11	61,96	65,78	69,38	73,04	78,65	82,22	87,99
AISI 430	RAL	39,77	41,63	45,45	49,04	52,71	58,32	61,89	67,66
	ZN	38,81	40,67	44,48	48,08	51,75	57,35	60,92	66,69
	AISI 304	55,28	57,14	60,96	64,55	68,22	73,82	77,39	83,17
	AISI 430	49,61	51,47	55,29	58,89	62,55	68,16	71,73	77,50
	PVDF	51,09	52,95	56,76	60,36	64,03	69,63	73,20	78,97
	PU	47,10	48,96	52,77	56,37	60,04	65,64	69,21	74,98
	FOOD SAFE	54,44	56,30	60,11	63,71	67,38	72,98	76,55	82,32

	RAL	41,25	43,11	46,92	50,52	54,18	59,79	63,36	69,13
	ZN	40,28	42,14	45,96	49,55	53,22	58,82	62,39	68,17
	AISI 304	56,75	58,61	62,43	66,03	69,69	75,30	78,87	84,64
PVDF	AISI 430	51,09	52,95	56,76	60,36	64,03	69,63	73,20	78,97
	PVDF	52,56	54,42	58,24	61,83	65,50	71,11	74,68	80,45
	PU	48,57	50,43	54,25	57,84	61,51	67,11	70,68	76,46
	FOOD SAFE	55,91	57,77	61,59	65,18	68,85	74,46	78,03	83,80
<hr/>									
	RAL	37,25	39,11	42,93	46,53	50,19	55,80	59,37	65,14
	ZN	36,29	38,15	41,96	45,56	49,23	54,83	58,40	64,18
	AISI 304	52,76	54,62	58,44	62,04	65,70	71,31	74,88	80,65
PU (POLYURETHANE)	AISI 430	47,10	48,96	52,77	56,37	60,04	65,64	69,21	74,98
	PVDF	48,57	50,43	54,25	57,84	61,51	67,11	70,68	76,46
	PU	44,58	46,44	50,25	53,85	57,52	63,12	66,69	72,46
	FOOD SAFE	51,92	53,78	57,60	61,19	64,86	70,46	74,04	79,81
FOOD SAFE	FOOD SAFE	59,26	61,12	64,94	68,54	72,20	77,81	81,38	87,15

WITH SECRET FIX LOCK

EXTERIOR COATING		PANEL'S THICKNESS, MM / SECRET FIX				
SIDE A	SIDE B	60	80	100	120	150
FIRE RESISTANCE CLASS		EI 30	EI 60	EI 90	EI 150	EI 180
	RAL	34,37	38,46	42,09	45,81	51,52
	ZN	32,99	37,09	40,71	44,43	50,14
	AISI 304	56,53	60,62	64,25	67,96	73,68
RAL	AISI 430	48,43	52,53	56,15	59,87	65,58
	PVDF	50,54	54,63	58,25	61,97	67,68
	PU	44,83	48,93	52,55	56,27	61,98
	FOOD SAFE	55,32	59,42	63,04	66,76	72,47
<hr/>						
	RAL	32,99	37,09	40,71	44,43	50,14
	ZN	31,61	35,71	39,33	43,05	48,76
	AISI 304	55,15	59,25	62,87	66,59	72,30
ZN	AISI 430	47,05	51,15	54,77	58,49	64,20
	PVDF	49,16	53,25	56,88	60,60	66,31
	PU	43,46	47,55	51,18	54,89	60,61
	FOOD SAFE	53,95	58,04	61,67	65,39	71,10
<hr/>						
	RAL	56,53	60,62	64,25	67,96	73,68
	ZN	55,15	59,25	62,87	66,59	72,30
	AISI 304	78,68	82,78	86,40	90,12	95,83
AISI 304	AISI 430	70,59	74,68	78,31	82,03	87,74
	PVDF	72,69	76,79	80,41	84,13	89,84
	PU	66,99	71,09	74,71	78,43	84,14
	FOOD SAFE	77,48	81,58	85,20	88,92	94,63
<hr/>						
	RAL	48,43	52,53	56,15	59,87	65,58
	ZN	47,05	51,15	54,77	58,49	64,20
	AISI 304	70,59	74,68	78,31	82,03	87,74
AISI 430	AISI 430	62,49	66,59	70,21	73,93	79,64
	PVDF	64,60	68,69	72,32	76,04	81,75
	PU	58,89	62,99	66,61	70,33	76,04
	FOOD SAFE	69,39	73,48	77,11	80,82	86,54
<hr/>						
	RAL	50,54	54,63	58,25	61,97	67,68
	ZN	49,16	53,25	56,88	60,60	66,31
	AISI 304	72,69	76,79	80,41	84,13	89,84
PVDF	AISI 430	64,60	68,69	72,32	76,04	81,75
	PVDF	66,70	70,80	74,42	78,14	83,85
	PU	61,00	65,10	68,72	72,44	78,15
	FOOD SAFE	71,49	75,59	79,21	82,93	88,64
<hr/>						
	RAL	44,83	48,93	52,55	56,27	61,98
	ZN	43,46	47,55	51,18	54,89	60,61
	AISI 304	66,99	71,09	74,71	78,43	84,14
PU (POLYURETHANE)	AISI 430	58,89	62,99	66,61	70,33	76,04
	PVDF	61,00	65,10	68,72	72,44	78,15
	PU	55,30	59,39	63,02	66,74	72,45
	FOOD SAFE	65,79	69,89	73,51	77,23	82,94
FOOD SAFE	FOOD SAFE	76,28	80,38	84,00	87,72	93,43

ROOF PANELS



EXTERIOR COATING		PANELS' THICKNESS, MM							
SIDE A	SIDE B	50	60	80	100	120	150	170	200
FIRE RESISTANCE CLASS		RE 15		RE 30	REI 45		REI 60		
RAL	RAL	34,85	36,63	40,46	44,01	47,59	52,95	56,78	62,14
	ZN	33,72	35,50	39,33	42,88	46,46	51,82	55,65	61,01
	AISI 304	52,96	54,75	58,58	62,12	65,70	71,06	74,89	80,25
	AISI 430	46,35	48,13	51,96	55,51	59,09	64,45	68,28	73,64
	PVDF	48,07	49,85	53,68	57,23	60,81	66,17	70,00	75,36
	PU	43,40	45,18	49,02	52,56	56,14	61,50	65,33	70,69
	FOOD SAFE	51,98	53,76	57,60	61,14	64,72	70,08	73,91	79,27
ZN	RAL	33,72	35,50	39,33	42,88	46,46	51,82	55,65	61,01
	ZN	32,59	34,37	38,20	41,75	45,32	50,68	54,52	59,88
	AISI 304	51,83	53,61	57,45	60,99	64,57	69,93	73,76	79,12
	AISI 430	45,22	47,00	50,83	54,38	57,96	63,32	67,15	72,51
	PVDF	46,94	48,72	52,55	56,10	59,68	65,04	68,87	74,23
	PU	42,27	44,05	47,89	51,43	55,01	60,37	64,20	69,56
	FOOD SAFE	50,85	52,63	56,46	60,01	63,59	68,95	72,78	78,14
AISI 304	RAL	52,96	54,75	58,58	62,12	65,70	71,06	74,89	80,25
	ZN	51,83	53,61	57,45	60,99	64,57	69,93	73,76	79,12
	AISI 304	71,08	72,86	76,69	80,24	83,82	89,18	93,01	98,37
	AISI 430	64,46	66,25	70,08	73,62	77,20	82,56	86,39	91,75
	PVDF	66,18	67,96	71,80	75,34	78,92	84,28	88,11	93,47
	PU	61,52	63,30	67,13	70,68	74,25	79,61	83,45	88,81
	FOOD SAFE	70,10	71,88	75,71	79,25	82,83	88,19	92,03	97,39
AISI 430	RAL	46,35	48,13	51,96	55,51	59,09	64,45	68,28	73,64
	ZN	45,22	47,00	50,83	54,38	57,96	63,32	67,15	72,51
	AISI 304	64,46	66,25	70,08	73,62	77,20	82,56	86,39	91,75
	AISI 430	57,85	59,63	63,46	67,01	70,59	75,95	79,78	85,14
	PVDF	59,57	61,35	65,18	68,73	72,31	77,67	81,50	86,86
	PU	54,90	56,68	60,52	64,06	67,64	73,00	76,83	82,19
	FOOD SAFE	63,48	65,26	69,10	72,64	76,22	81,58	85,41	90,77
PVDF	RAL	48,07	49,85	53,68	57,23	60,81	66,17	70,00	75,36
	ZN	46,94	48,72	52,55	56,10	59,68	65,04	68,87	74,23
	AISI 304	66,18	67,96	71,80	75,34	78,92	84,28	88,11	93,47
	AISI 430	59,57	61,35	65,18	68,73	72,31	77,67	81,50	86,86
	PVDF	61,29	63,07	66,90	70,45	74,03	79,39	83,22	88,58
	PU	56,62	58,40	62,24	65,78	69,36	74,72	78,55	83,91
	FOOD SAFE	65,20	66,98	70,82	74,36	77,94	83,30	87,13	92,49
PU (POLYURETHANE)	RAL	43,40	45,18	49,02	52,56	56,14	61,50	65,33	70,69
	ZN	42,27	44,05	47,89	51,43	55,01	60,37	64,20	69,56
	AISI 304	61,52	63,30	67,13	70,68	74,25	79,61	83,45	88,81
	AISI 430	54,90	56,68	60,52	64,06	67,64	73,00	76,83	82,19
	PVDF	56,62	58,40	62,24	65,78	69,36	74,72	78,55	83,91
	PU	51,96	53,74	57,57	61,11	64,69	70,05	73,89	79,25
	FOOD SAFE	60,54	62,32	66,15	69,69	73,27	78,63	82,46	87,82
FOOD SAFE	FOOD SAFE	69,11	70,89	74,73	78,27	81,85	87,21	91,04	96,40

PH INSULATION MANUFACTURES CLASS 1 SANDWICH PANELS
ON ITALIAN PU,MA CONTINUES LINE

- Mineral Wool Density - 105 kg/m³
- You can request sandwich panels with high-quality standard metal of leading Russian and world suppliers Severstal, NLMK, MMK, Arcelor, SSAB, Lampre, etc. with polymer coating.
- Or you can request the special metal according to your requirements:
 - wide range of colors according to RAL chart for polymer coating,
 - various coatings: Polyester, Pural, PVDF, or Food Safe Laminate (a special 110 µm thick coating for food products storage and processing facilities: meat and fish processing plants, dairy farming, etc).
- You can also choose the panels with flat surface or with ribs for elevated sturdiness.
- All PH Insulation panels are delivered wrapped in a surface-protection plastic film for transportation.



+7 [495] 240-83-14

WWW.PROFHOLOD.COM